

# Chappee Type 11 & 22 Radiators

**EN442**

SINGLE AND DOUBLE CONVECTORS c/w FACTORY FITTED GRILLES & SIDE PANELS

Comfort doesn't wait. Samba radiators react immediately when the heating is turned on or when the thermostat operates, their heat permeating the whole room uniformly by radiation and convection. Classical or resolutely modern, their colours tone in with the style of your home, whether it is traditional or contemporary. Efficient and discreet, Samba radiators are practical as well as decorative.



## DOUBLE CONVECTOR (Type 22)

12" Nominal Height (300mm)

Length inches	Length mm	watts △ t50	Btu/h △ t50	watts △ t62	Btu/h △ t62
27"	700	645	2200	859	2931
39"	1000	921	3142	1227	4187
47"	1200	1105	3771	1473	5025
55"	1400	1290	4401	1718	5861
60"	1500	1382	4715	1840	6280
68"	1700	1566	5342	2086	7120
76"	1900	1750	5971	2331	7955

## SINGLE CONVECTOR (Type 11)

20" Nominal Height (500mm)

Length inches	Length mm	△ t50 watts	△ t50 Btu/h	△ t62 watts	△ t62 Btu/h
16"	400	305	1041	404	1378
20"	500	381	1300	504	1720
24"	600	457	1560	605	2064
28"	700	533	1819	706	2409
32"	800	610	2082	807	2753
35"	900	686	2341	908	3098
39"	1000	762	2600	1008	3439
43"	1100	838	2860	1109	3784
47"	1200	914	3119	1210	4129
51"	1300	991	3381	1310	4470
55"	1400	1067	3641	1411	4814
60"	1500	1143	3900	1512	5159
68"	1700	1295	4419	1714	5848
76"	1900	1448	4941	1916	6537

## DOUBLE CONVECTOR (Type 22)

20" Nominal Height (500mm)

Length inches	Length mm	△ t50 watts	△ t50 Btu/h	△ t62 watts	△ t62 Btu/h
16"	400	568	1938	755	2576
20"	500	710	2423	944	3221
24"	600	851	2904	1133	3866
28"	700	993	3388	1321	4507
32"	800	1135	3873	1510	5152
35"	900	1277	4357	1699	5797
39"	1000	1419	4842	1887	6438
43"	1100	1561	5326	2076	7083
47"	1200	1703	5811	2265	7728
51"	1300	1845	6295	2455	8376
55"	1400	1987	6780	2642	9015
60"	1500	2129	7264	2831	9659
68"	1700	2412	8230	3208	10946
76"	1900	2696	9199	3586	12235

## DOUBLE CONVECTOR (Type 22)

16" Nominal Height (400mm)

Length inches	Length mm	watts △ t50	Btu/h △ t50	watts △ t62	Btu/h △ t62
35"	900	1058	3611	1410	4810
39"	1000	1177	4015	1567	5345
47"	1200	1411	4815	1880	6415
55"	1400	1647	5620	2192	7480
60"	1500	1764	6020	2349	8015
68"	1700	2001	6827	2663	9086

## SINGLE CONVECTOR (Type 11)

24" Nominal Height (600mm)

Length inches	Length mm	△ t50 watts	△ t50 Btu/h	△ t62 watts	△ t62 Btu/h
16"	400	356	1215	472	1611
20"	500	446	1522	590	2013
24"	600	535	1825	707	2412
28"	700	624	2129	826	2818
32"	800	713	2433	944	3221
35"	900	802	2736	1062	3624
39"	1000	891	3040	1179	4023
43"	1100	980	3344	1297	4425
47"	1200	1069	3647	1415	4828
51"	1300	1160	3958	1535	5237
55"	1400	1247	4255	1651	5633
60"	1500	1337	4562	1769	6036
68"	1700	1515	5170	2005	6842
76"	1900	1693	5777	2241	7647

## DOUBLE CONVECTOR (Type 22)

24" Nominal Height (600mm)

Length inches	Length mm	△ t50 watts	△ t50 Btu/h	△ t62 watts	△ t62 Btu/h
16"	400	659	2249	875	2986
20"	500	824	2812	1094	3733
24"	600	988	3371	1312	4477
28"	700	1153	3934	1531	5224
32"	800	1318	4497	1750	5971
35"	900	1482	5057	1969	6718
39"	1000	1647	5620	2187	7462
43"	1100	1812	6183	2406	8209
47"	1200	1976	6742	2625	8957
51"	1300	2141	7305	2845	9707
55"	1400	2306	7868	3062	10448
60"	1500	2471	8431	3281	11195
68"	1700	2800	9554	3718	12686
76"	1900	3129	10676	4156	14181

**CHAPPEE**



# Chappee Type 11 & 22 Radiators

**EN442**

SINGLE AND DOUBLE CONVECTORS C/W FACTORY FITTED GRILLES & SIDE PANELS

IM20A - Re - March 2005

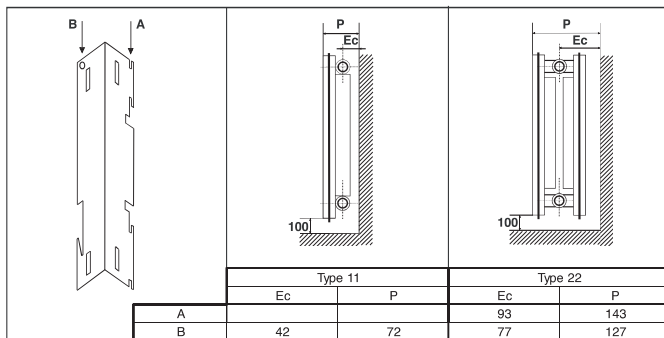
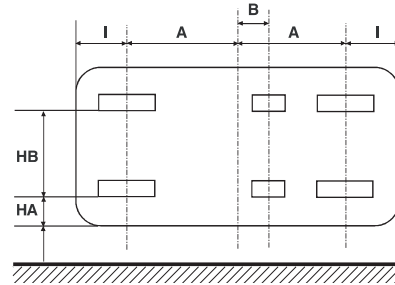
## INSTALLATION INFORMATION FOR HORIZONTAL RADIATORS

Assembly with pre-built Brackets

Dim. A	Drilling dimension referring to centre of radiator
Dim. I	Drilling dimension referring to side of radiator
Dim. HA	Drilling dimension bottom of radiator
Dim. B	Drilling dimension referring to centre $\geq 36$ elements
Dim. HB	Drilling dimension top of radiator

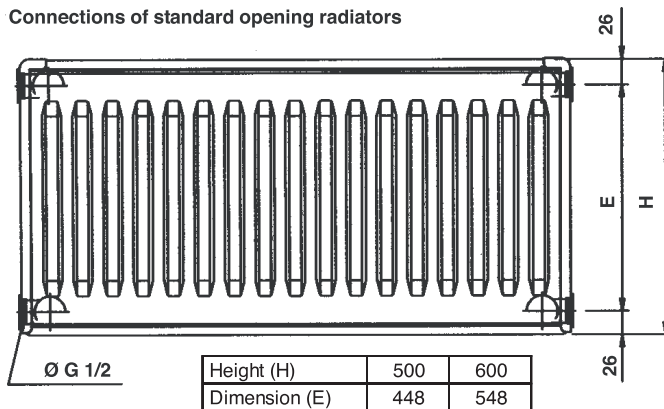
Dimension I mm	
Type 22	111
Type 11	128

Drilling dimensions for vertical locating				
HEIGHT	12"	16"	20"	24"
HA (mm)	91	91	91	91
HB (mm)	81	181	281	381

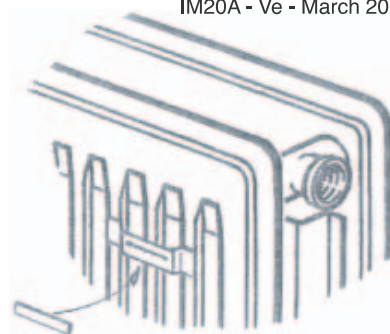


Element number	Length mm	Pre-built bracket		
		Dimension A		B
		11	22	
12	400	72	89	
15	500	122	139	
18	600	172	189	
21	700	222	239	
24	800	272	289	
27	900	322	339	
30	1000	372	389	
33	1100	422	439	
36	1200	472	489	11
42	1400	572	589	11
45	1500	622	639	28
51	1700	722	739	28
57	1900	822	839	28

Connections of standard opening radiators

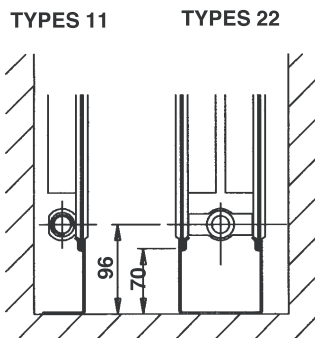


IM20A - Ve - March 2005



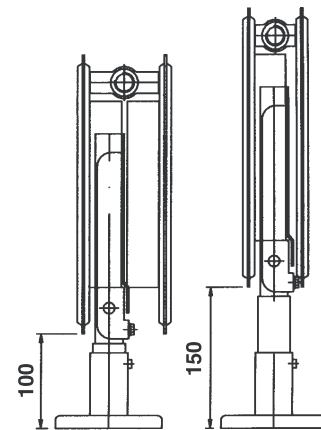
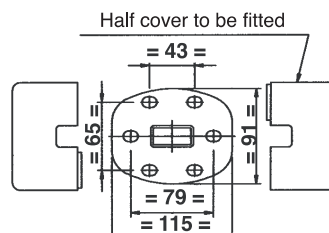
Before hanging the radiator on the brackets put the plastic insulating profile on the bottom edge of the welded bars

\* Assembly with supporting feet



\* Assembly with adjustable feet

Number of feet according to length		
L	400 - 1000	1100 - 1600
N	2	3



**SOLE DISTRIBUTOR:**



**Hevac Limited**

**Head Office:** Muirfield Drive, Naas Road, Dublin 12.  
Tel: +353 1 419 1919 Fax: +353 1 458 4806

**Santry Branch:** Furry Park Ind. Estate, Santry, Dublin 9.  
Tel: +353 1 842 7037 Fax: +353 1 842 7045

**Cork Branch:** South Ring West Business Park, Tramore Rd., Cork.  
Tel: +353 21 432 1066 Fax: +353 21 432 1068